

Saturn 4 Carousel

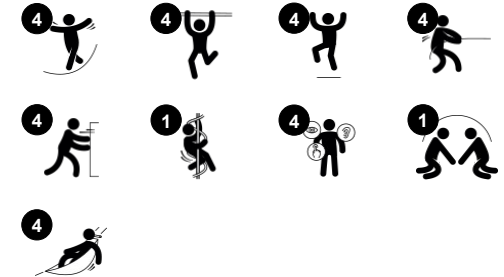
GXY958



Item no. GXY958000-3817

General Product Information

Dimensions LxWxH	10'4"x10'4"x8'4"
Age group	5 - 12
Play capacity (users)	4
Color options	●



The wildly thrilling Saturn Carousel is an irresistible play invitation for older children. With its four rope-suspended seats and its stable overhead handles, the Saturn Carousel can be pushed and pulled into a milder or wilder spin. This variation encourages repeated play for brave hearts as well as more timid players. Socially, the Saturn Carousel trains

children's turn-taking and teamwork skills. It provides a place to hang when chatting. Physically, the pushing, pulling, and running the carousel into motion train the upper and lower body muscles of the children. The heartbeat speeds up when running the carousel into motion. Last, but not least, the senses of balance and space get trained

intensely when standing, sitting, or hanging in the arms while spinning, wildly or mildly.

Saturn 4 Carousel

GXY958



Rotation

Physical: pushing or pulling into motion, children use their muscle strength and their cardio. The rotation develops the sense of balance and space when enjoying the ride.
Social-Emotional: listening and negotiating how slow or fast to go, children develop empathy and cooperation skills.



PUR covered rope

Physical: firm grip when spinning and hanging from arms. Arm muscles developed when holding tight.



Teardrop handle

Physical: develops upper body muscles, as when pulling yourself up or hanging in your arms.



Dino seat

Physical: the three divisions and chains of the seat provide efficient handholds for both standing and seated swinging. **Social-Emotional:** the possibility of children swinging together, legs hanging down, trains cooperation, sequencing and turn-taking when swinging.

Saturn 4 Carousel

GXY958



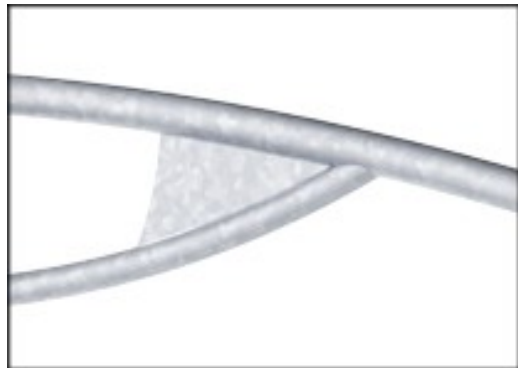
Saturn ropes has six-stranded steel wires and a steel wire core. Each strand is tightly wrapped with PES yarn, which is melted onto each individual strand. After initial friction has removed the surface fibers, a harder PES coating remains to protect each strand, making the ropes highly wear- and vandalism-resistant.



The special designed seat is made of a stainless-steel insert covered with a soft layer of PUR rubber. The seat is impact tested to fulfill all global playground standards and the rope has an ergonomic handhold of a 100cm long molded on PUR rubber handle.



The two angled top handles are made of a molded PP insert with an outer soft layer of TPV rubber. The handle is attached to the pipe with a galvanized steel inlay to ensure strength and durability.



The steel surfaces are hot-dip galvanized inside and outside with lead-free zinc. The galvanization has excellent corrosion resistance in outside environments and requires minimal maintenance.



Heavy duty engineered bearing system with single row deep groove ball bearings with rubber seals. The fully closed bearing construction is lifetime lubricated and maintenance free.

Item no. GXY958000-3817

Installation Information

Max. fall height	7'1"
Safety surfacing area	2020ft ²
Total installation time	4.1
Excavation volume	1.57yd ³
Concrete volume	1.05yd ³
Footing depth (standard)	3'3"
Shipment weight	485lbs
Anchoring options	In-ground ✓ Surface ✓

Warranty Information

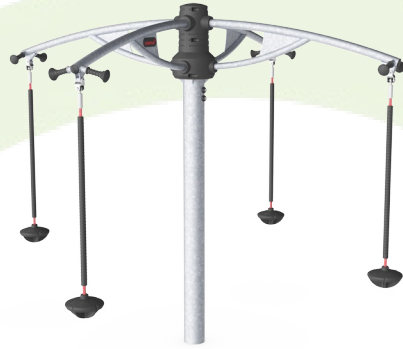
Bearing construction	5 Years
Hot dip galvanized steel	Lifetime
PUR components	10 Years
Ropes & nets	10 Years
Spare Parts Availability	10 Years

Elevated activities 0	Accessible elevated activities	Accessible ground level activities	Accessible ground level play types
Present	0	1	1
Required	0	1	1



Sustainability Data

GXY958



Cradle to Gate A1-A3	Total CO ₂ emission	CO ₂ e/kg	Recycled materials
	kg CO ₂ e	kg CO ₂ e/kg	%
GXY958000-3817	585.81	2.77	45.44

The overall framework applied for these factors is the Environmental Product Declaration (EPD), which quantifies "environmental information on the life cycle of a product and enable comparisons between products fulfilling the same function" (ISO, 2006). This follows the structure and applies a Life-Cycle Assessment approach to the entire Product stage from raw material through manufacturing (A1-A3))

Kompan A/S
 C.F. Tietgens Boulevard 32C
 DK-5220 Odense SØ
 Denmark



Verification of CO₂ calculation of: Freestanding play equipment



Data version no. 2023-10-05

The CO₂ calculation and data are in compliance with the principles of a carbon footprint impact according to the GHG protocol (Greenhouse Gas Protocol), Scope 3, cradle to gate related to all individual components in the product category: "Freestanding play equipment" represented by item no.: GXY916012-3417.

(Scope 3 emissions include emission sources in the upstream and downstream value chain).

Date: 30. October 2023 | Valid until: 30. October 2025

Verified by:

Julie Marie Vejsgaard Larsen, LCA & EPD Consultant

Verification based on report: Validation of CO₂ calculation of 9 categories of Kompan product line, version 1.0, prepared by: Bureau Veritas HSE, Denmark: Julie M. V. Larsen.

Publication date: 30. October 2023

By Bureau Veritas HSE
 www.bureauveritas.dk
 +45 7731 1000

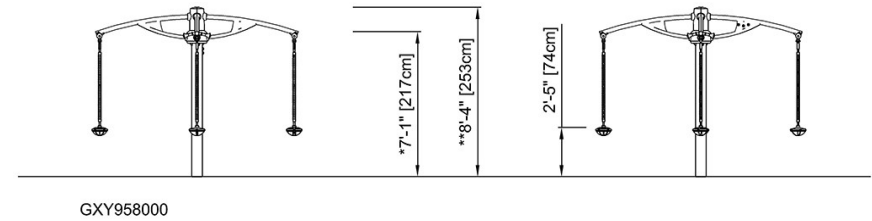
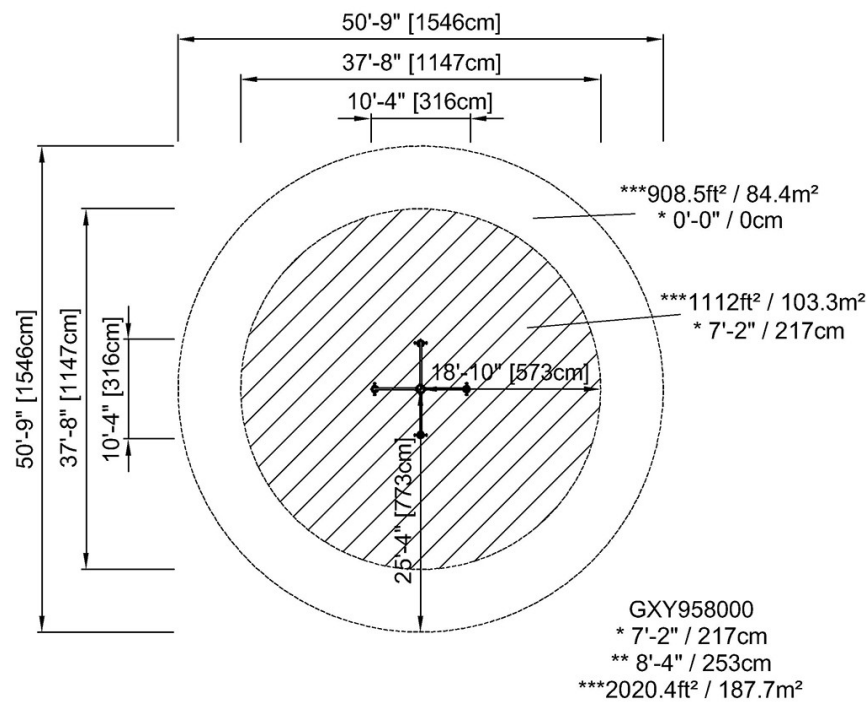


Saturn 4 Carousel

GXY958

* Max fall height | ** Total height | *** Safety surfacing area

* Max fall height | ** Total height



[Click to see TOP VIEW](#)

[Click to see SIDE VIEW](#)